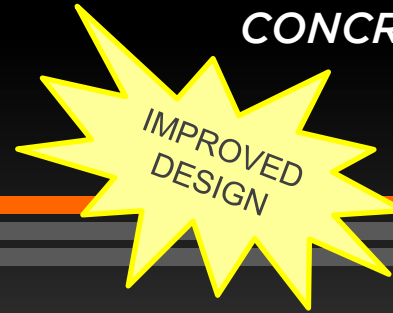




**TECH SHEET  
CONCRETE CHAIN**

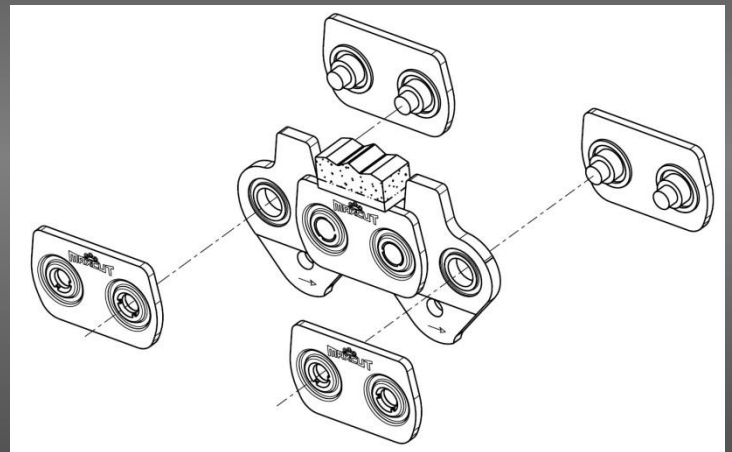


# MX3 CONCRETE CUTTING CHAIN

The MAXCUT MX3 concrete cutting chain was designed on the original MC3 chain platform. The reengineering targeted optimization of areas of the chain to improve durability and toughness. The result is a chain that stretches less than our previous MC3 chain.

## KEY FEATURES

- Efficiently cuts concrete, brick, decorative stone
- Revolutionary Crown shaped segments designed to expose the diamonds for faster initial cutting
- Segments on every link for lower vibration and smooth cutting
- Patented debris protection
- Automated laser welding process to ensure consistent quality
- Bumper protection
- 0.456" Pitch
- Available in 2 segment options (Speed & Life)



## RE-ENGINEERING

- Selection of more robust alloy
- Specialized surface treatment
- Tightened production tolerances

C U T T H R O U G H I T A L L W I T H M A X C U T

AMERICAN ENGINEERED  
AMERICAN MADE

For more information  
**MAXCUTINC.COM**  
MAXCUT INC.  
111 East 34<sup>th</sup> Street  
South Chicago Heights, IL 60411  
708-753-8070